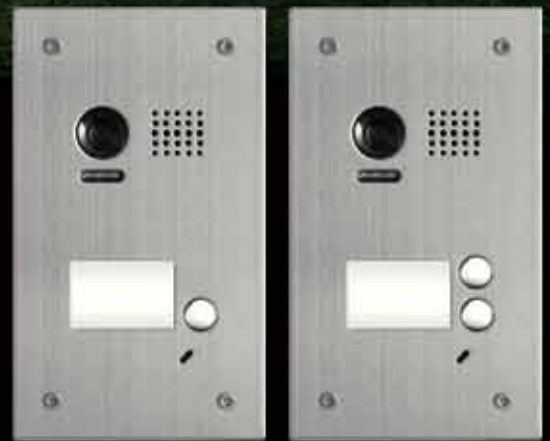




## 2-Wire Outdoor Station DT603(D)F



**V-TCK**

Effective Solution to Security Needs

# DT603(D)F



- High resolution camera
- 304 stainless steel panel
- Night view LED display
- Large nameplate display
- Two call buttons optional
- Anti-tamper screw installation
- IP54 protection rate

## 2-Wire Outdoor Station



### High resolution camera

- 650TV Line image quality
- ARS 105° wide-angle camera for large area
- Optical glass lens for better performance
- Sensor LED for night view



### Soft light illumination

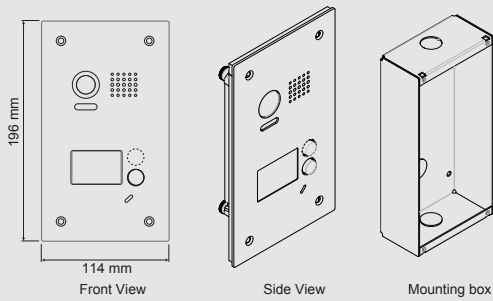
- Replaceable large nameplate with white backlight
- Metal call button with blue backlight
- Two call buttons supported



### Safety & Elegance

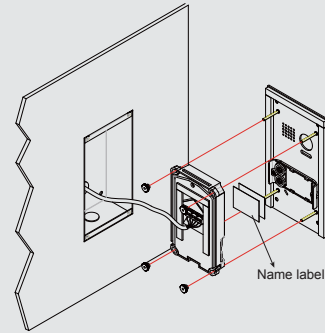
- Anti-theft with special screw&screw driver
- Full 304 stainless steel front panel against vandalism and cauterization
- IP54 waterproof performance

## DIMENSION

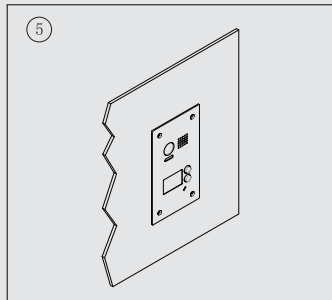
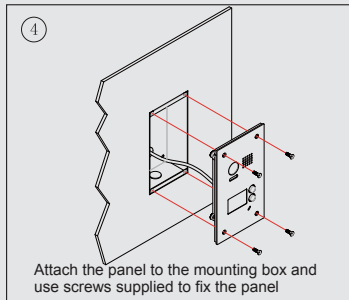
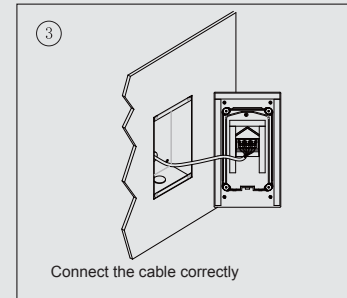
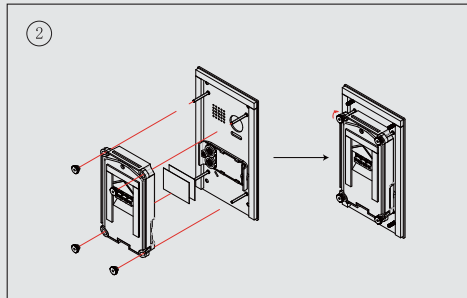
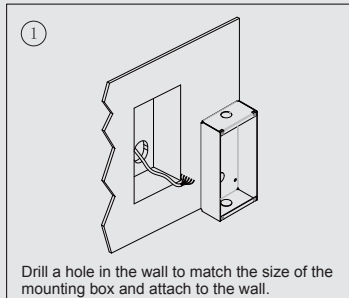


Unit:mm

## REPLACE NAME LABEL



## MOUNTING



## SPECIFICATION

Power supply:	DC 24V
Lock power supply:	12Vdc,300mA(Internal Power)
Power consumption:	Standby 33mA;Working status 110mA
Camera:	Color ARS;650 TV Lines
Unlocking time:	1~30s(default 1s)
Working temperature	-15°C~55°C
Dimension:	196(H)×114(W)×39(D)mm



**Guangzhou Video-Tech Electronics Co., Ltd**

F6/No.7 building ,Huangzhou Industrial Area,  
Chebei Road,TianHe district,Guangzhou, China  
Phone +86 / 20 / 38261205  
Fax +86 / 20 / 38628806



www.v-tec.cn