

Product Information

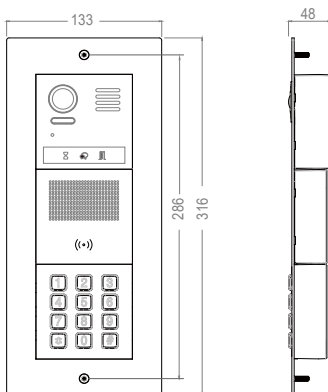
DT821 Series 2-Wire Outdoor Station



DESCRIPTION

2-wire apartment system color fisheye camera modularity outdoor station.

DIMENSION

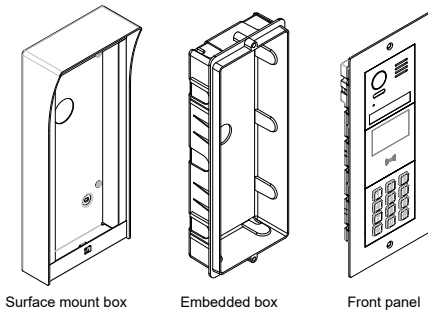
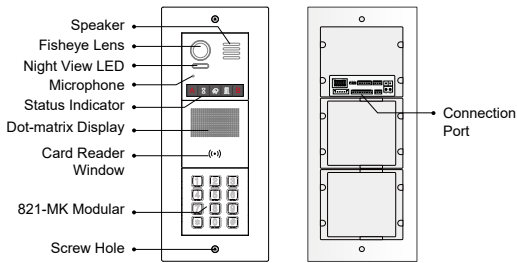


FEATURES

- 720P fisheye lens
- Modularization
- Voice Prompt
- Easy Configure
- Fingerprint Proof Stainless Steel
- IP54 Proof

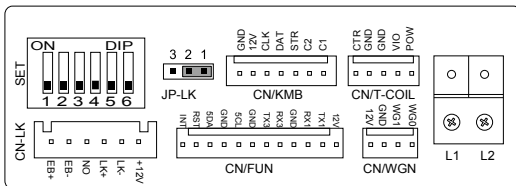


1. Parts and Functions



Note: Key A and key B will not be seen on the panel, they are cryptic. About activating key A and key B, please refer to the user manual.

2. Terminal Description



+12V: 12VDC power output.

LK-: power ground.

LK+: common contact of the relay.

NO.: normally open contact of the relay (refer to DT technical guide for Lock connection detail informations).

EB+: exit button positive connection port.

EB-: exit button negative connection port.

JP-LK: for electronic lock safety type setting (refer to door lock connections).

SET : DIP switches for system configurations.

CN/KMB: call button module connection port.

CN/T-COIL: reserved.

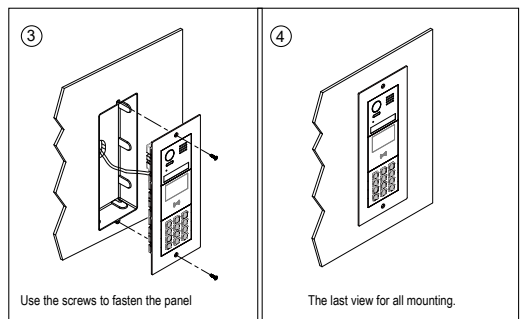
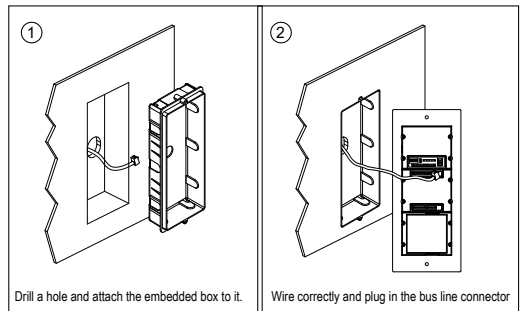
CN/FUN: Mechanical keypad module or TFT display module connection port.

CN/WGN: card reader module connection port.

Bus(L1,L2): non-polarity bus line, connect to PC6B(power comb unit).

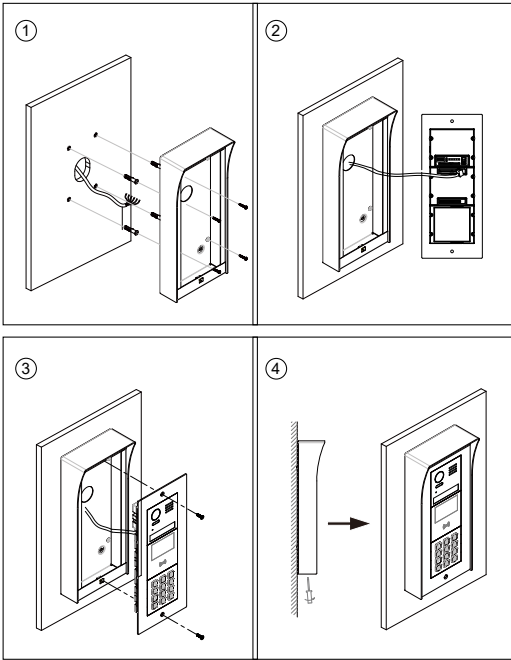
3. Mounting

Flush mounting





Surface mounting



4. Specification

Power supply: 24Vdc(supplied by PC6B)

Camera: 1/2.7" fisheye camera,170° wide angle

Power Consumption: 1W in standby
5W in working

Card Reader: Support 125KHz and 13.56MHz un
encrypted RFID tag

Unlock Power output: 12Vdc,250mA

Unlock timing: 1~99s

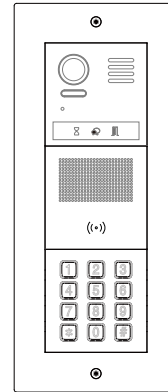
Working temperature: - 20°C ~ +55°C

Wiring: 2 wires (non-polarity)

Dimension: 316(H)×133(W)×48(D)mm

5. Ordering Information

Model No.	Description	Remark
DT821-DK	Color fisheye camera outdoor station with dot-matrix LED and mechanical keypad access control	NSTC,PAL must be specified



DT821-DK

Modules



821-VD
170° camera
module



821-AD
Only Audio



821-DR
Dot-matrix display
card reader



821-MK
Mechanical
keypad



821-LB
Backlight info
board

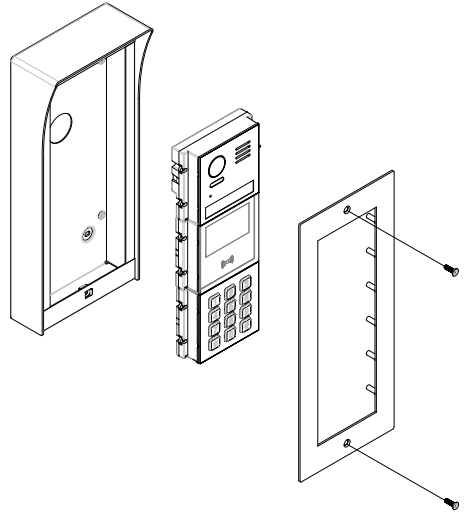


821-TFT
TFT Screen
Namelist
Logo/Info Display



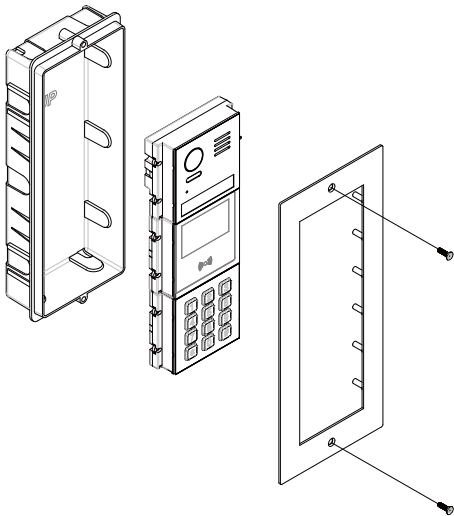
821-BL
Blank block

Surface mounting



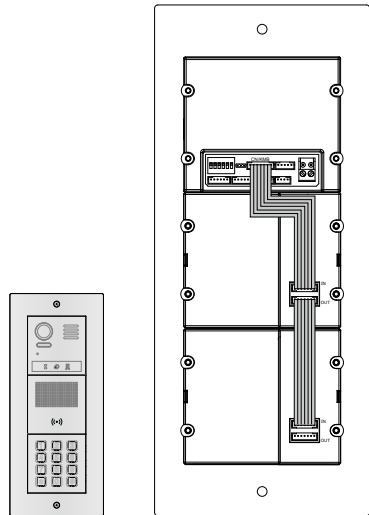
6. Modules Mount

Flush mounting



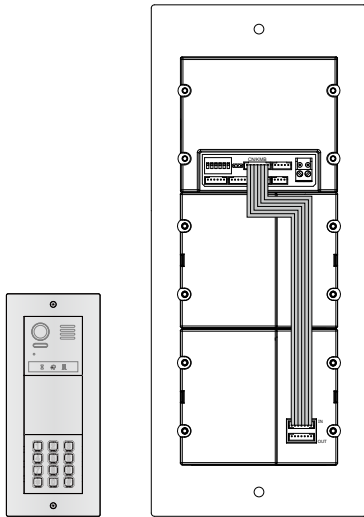
7. Connection

- **VD and DR and MK module**

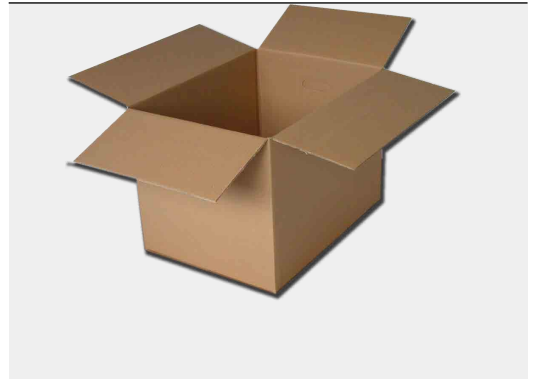




- VD and BL and MK module



Carton Package



Carton: 265(H)×415 (W)×360(D)mm

Quantity: 7PCS

8. Packing Information

Single Package



Dimensions: 171(H)X420(W) X98(D) mm

Gross Weight: 1.56Kg