

# Product Information

---

---

## DMR11S Series 2-Wire Outdoor Station

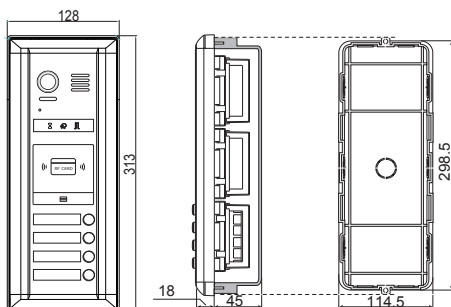
---



### DESCRIPTION

2-wire apartment system color ARS camera modularity outdoor station.

### DIMENSION

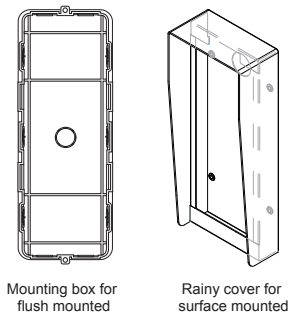
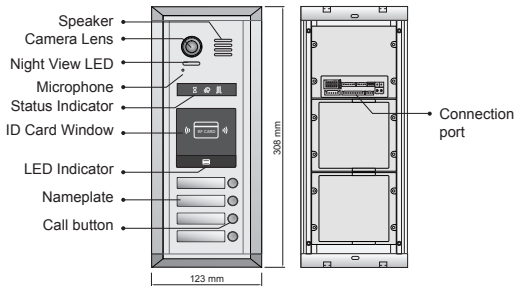


### FEATURES

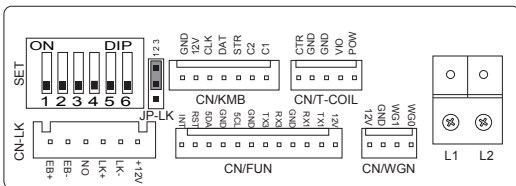
- Aluminum alloy panel design
- ARS 105 visual degree high resolution Camera
- Synthesis language reminder
- Large capacity(max.256 apartments via BDU)
- Reliable proximity access
- Colorful LED for work status indicators
- Diverse module configurations
- Nameplate or name list via TFT modular
- Support 2nd lock via DT-RLC
- Half flush mounted & surface mounted
- IP43 protection rate
- Compatible with all DT two wire system models



## 1. Parts and Functions



## 2. Terminal Description

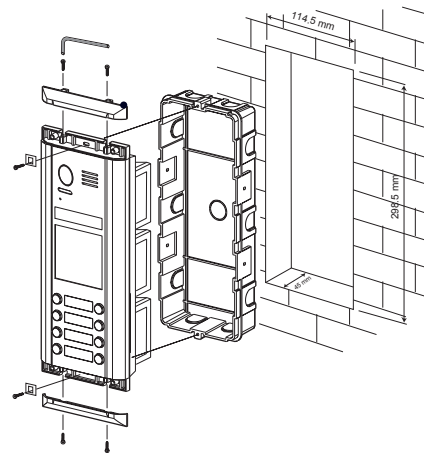


- +12V:** 12VDC power output.
- LK-:** power ground.
- LK+:** common contact of the relay.
- NO.:** normally open contact of the relay(refer to DT technical guide for Lock connection detail informations).
- EB+:** exit button positive connection port.
- EB-:** exit button negative connection port.
- JP-LK:** for electronic lock safety type setting (refer to door lock connections).

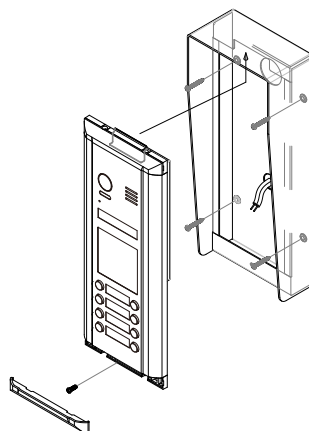
- SET :** DIP switches for system configurations.
- CN/KMB:** call button module connection port.
- CN/T-COIL:** reserved.
- CN/FUN:** touch sensor keypad module or TFT display module connection port.
- CN/WGN:** card reader module connection port.
- Bus(L1,L2):** non-polarity bus line,connect to PC6(power comb unit).

## 3. Mounting

### Half flush mounted



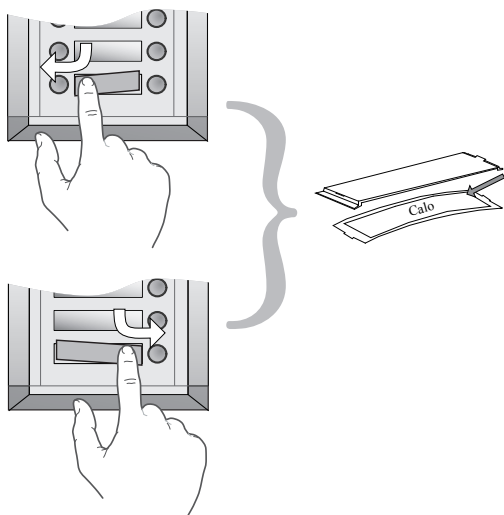
### Surface mounted





## 4. Placing Name Label

Press down and move right/left to open the transparent nameplate cover. The insert the name paper and put the cover back. Note that the double row button panel can be opened both direction, single row button can only be opened at right side.



## 5. Specification

**Power supply:** 26Vdc(supplied by PC6)

**Camera:** Color ARS; 520 TV Lines

**Power Consumption:** 1W in standby  
5W in working

**Unlock Power output:** 12Vdc,250mA

**Unlock timing:** 1~99s

**Working temperature:** - 20°C ~ +55°C

**Screen:** 3.5 inch TFT(with TFT module)

**Resolution:** 320(R, G, B)X240 pixels(TFT module)

**Wiring:** 2 wires (non-polarity)

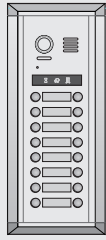
**Dimension:** 313(H)×128(W)×63(D)mm(flush)  
313(H)×128(W)×70(D)mm(surface)

## 6. Ordering Information

Model No.	Description	Remark
DMR11S/S8	Color ARS camera outdoor station (8 buttons,single row)	NSTC,PAL must be specified
DMR11S/D16	Color ARS camera outdoor station (16 buttons,doube row)	NSTC,PAL must be specified
DMR11S/ID/S4	Color ARS camera outdoor station with proximity access control (4 buttons,single row)	NSTC,PAL must be specified
DMR11S/ID/D8	Color ARS camera outdoor station with proximity access control (8 buttons,double row)	NSTC,PAL must be specified
DMR11S/S4/F1	Color ARS camera outdoor station with one dummy panel (4 buttons,single row)	NSTC,PAL must be specified
DMR11S/D8/F1	Color ARS camera outdoor station with one dummy panel (8 buttons,doube row)	NSTC,PAL must be specified
DMR11S/F2	Color ARS camera outdoor station with two dummies panel	NSTC,PAL must be specified
EP11S/S12	Extended panel (12 call buttons,single row)	
EP11S/D24	Extended panel (24 call buttons,double row)	



DMR11S/S8



DMR11S/D16



DMR11S/ID/S4



DMR11S/ID/D8



DMR11S/S4/F1



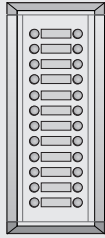
DMR11S/D8/F1



DMR11S/F2



EP11S/S12



EP11S/D24

### Modules Selection



R21/TFT



R21/LB



R21/ID



R21/TK



R21/S4



R21/D8

## 7. Optional Accessories (Not included)

Item	Brief Description	Remark
RH11	Rain Cover for DMR11S	1.01Kg
RS485-USB	RS485-USB converter	0.20Kg

## 8. Packing Information

### Single Package



Dimensions: 325(H)×130(W)×82(D)mm

Gross Weight: 1.2Kg

### Carton Package



Carton: 265(H)×415 (W)×360(D)mm

Quantity: 10PCS