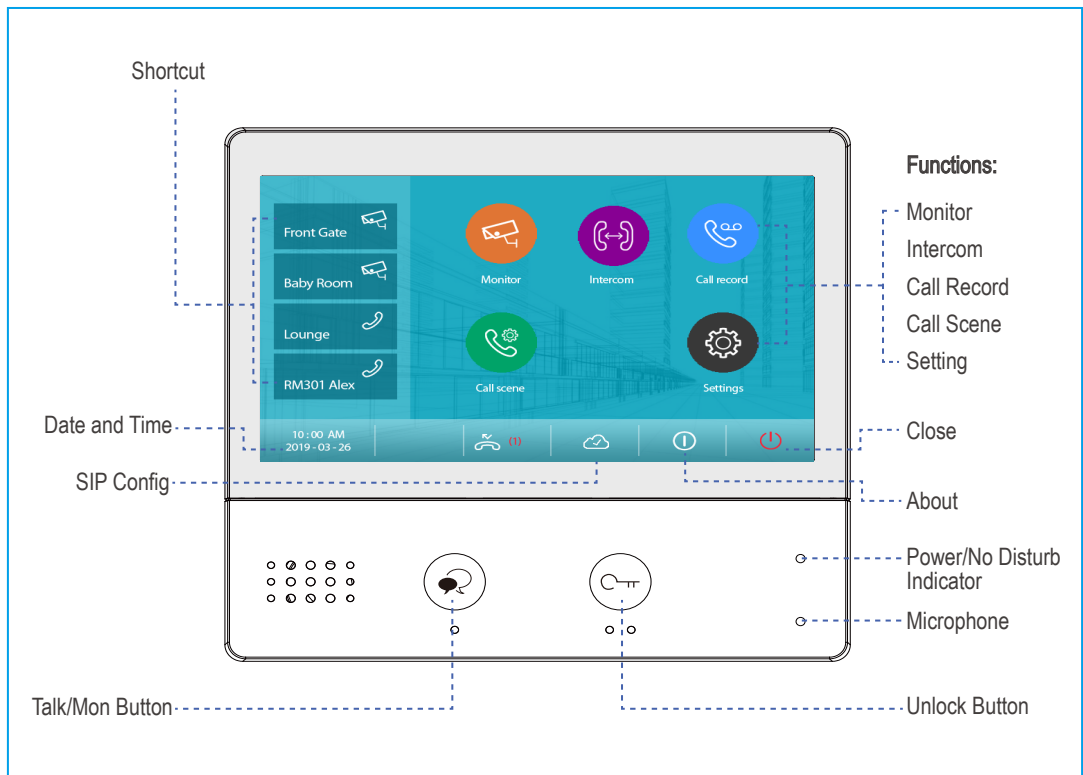




Product Information(IX471)

IP system 7 inch digital color TFT monitor with touch screen.



FEATURES

- 7" TFT touch screen
- Touch sensor button
- Hands-free communication
- Surface mounted
- Color icon menu display
- Orientation dot
- Call divert to smart phone
- Picture memory/video recording via SD card
- Image quad split supported via QSW unit
- Multi-languages supported
- * Multi languages operation(customized)



FUNCTIONS



Monitor

Allows you to monitor your home by enabling one of the cameras inside the apartment, the common areas (e.g. garages, garden), and at the entrance.



Intercom

Allows you to call another device installed in another room of the apartment or with a device of another apartment.



Call Record

Allows you to view the call record.



Call Scene

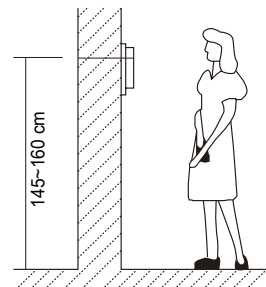
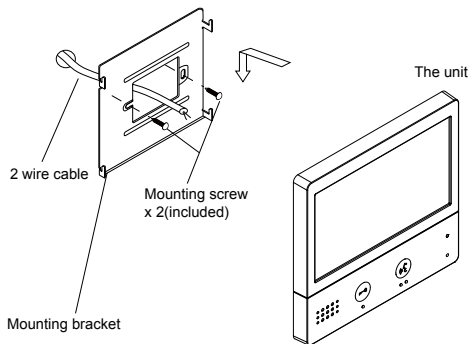
Allows you to activate the functions of No disturb, Divert.



Setting

Use to change the indoor station's settings.

MOUNTING





The installation height is suggested to 145~160cm.

1. Use screws to fasten the mounting bracket to the wall with mounting box.
2. Connect the 2 wire cables to the unit.
3. Mount the unit to the mounting bracket, make sure the unit is absolutely attached to the mounting bracket.

SPECIFICATION

Consumption:	<8W
Screen:	7 inch digital color TFT
Resolutions:	800 X 480 pixels
Video Signal:	1Vp-p, 75Ω, CCIR standard
Wiring:	Cat 5
Dimension:	161(H)×174(W)×22(D)mm

ORDERING INFORMATION

Model No.	Description	Menu style
IX471/TD7	7 inch digital color TFT screen monitor with touch screen operation & white housing	Color icon



PACKING INFORMATION

Single Package



Dimensions: 165(H)×240(W)×39(D)mm

Gross Weight: 0.55Kg

Carton Package



Carton: 258 (H)×530 (W)×340 (D)mm

Quantity: 24PCS

MENU STYLE

