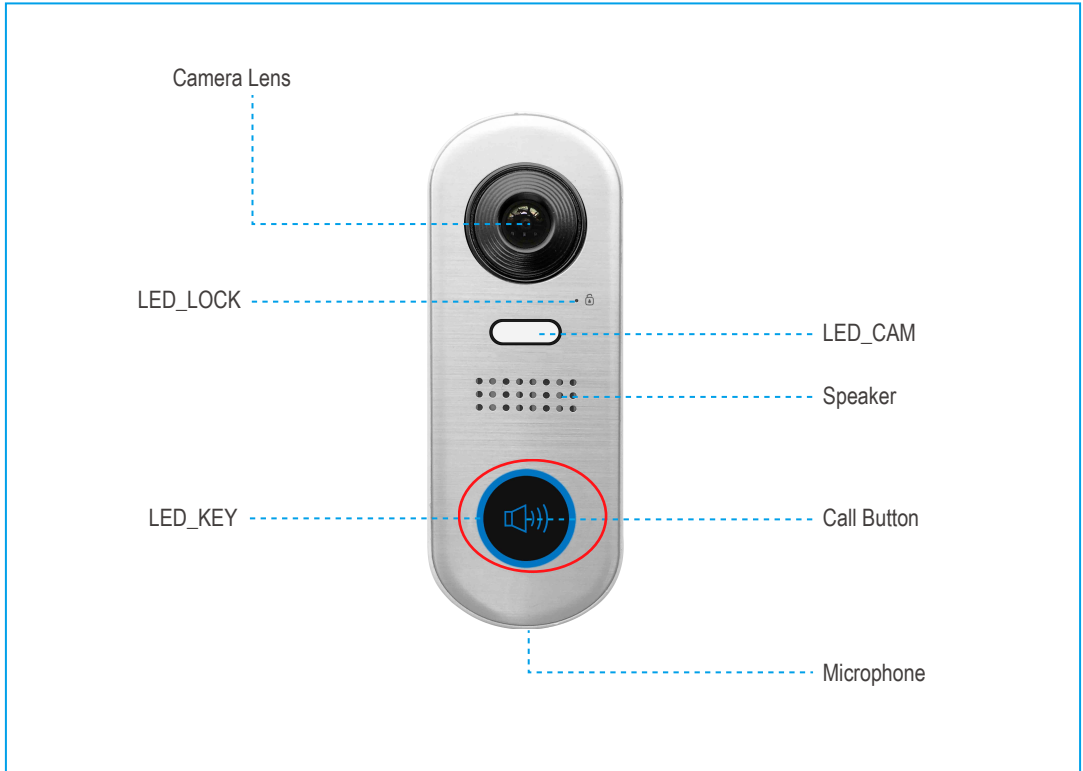




Product Information(IX610)

IP system outdoor station.

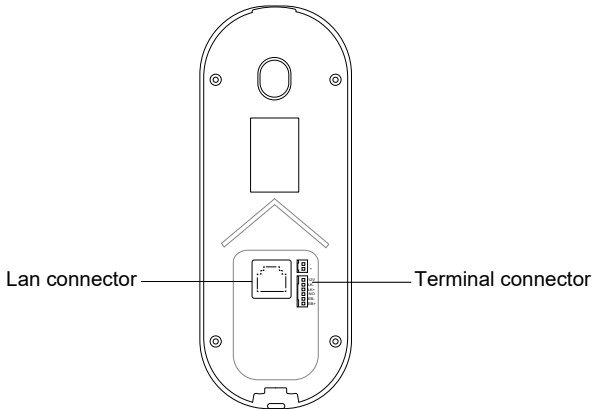


FEATURES

- Better image/video;
- Unlock-state indicators;
- Voice prompts;
- Soft LED;
- 720P fisheye or Normal lens;
- Aluminum front panel;
- Surface mounting;
- IP54 proof.



TERMINAL DESCRIPTION



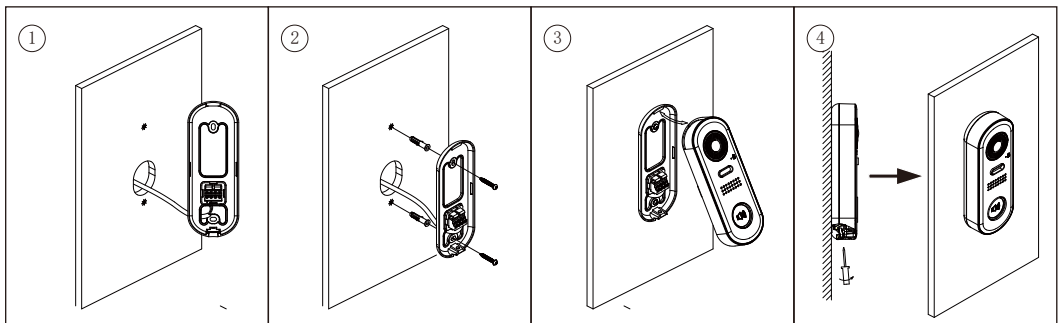
Lan connector

Use to connect the indoor station to the network.

Terminal connector

Use to connect external devices to the indoor station.

MOUNTING



1. Installation height for door station usually is 145~160cm.
2. Use screws to fix the back panel to the wall after connect the cable correctly.
3. Attach the front panel to the back panel, then use the screw to fix it.



SPECIFICATION

- Power Consumption: <3W;
- Fish Camera: Color CMOS, 2.0 Mega pixel
1/2.7" fisheye camera, 155° wide angle;
- 105 degree Camera: Color CMOS, 520TVL , 1/4" camera, 105° wide angle.
- Lock Power supply: 12Vdc, 250mA(Internal Power);
- Working temperature: -20°C ~ +55°C;
- Wiring: Cat 5;
- Protection: IP54
- Dimension: 160(H)×60(W)×31.5(D)mm

ORDERING INFORMATION

Model No.	Description	Remark
IX610	Fisheye camera outdoor station by surface mounting.	<u>NSTC, PAL must be specified</u>
IX610C	<u>3089</u> camera outdoor station by surface mounting.	<u>NSTC, PAL must be specified</u>



PACKING INFORMATION

Single Package



Carton Package



Dimensions: 166(H)×103(W)×60(D)mm

Gross Weight: 0.53Kg

Carton: 340 (H)×530 (W)×258 (D)mm

Quantity: 32PCS